



# Leona<sup>®</sup> Pro Smart Home Controller

Product Data Sheet



5-Year Warranty





# Leona® Pro Smart Home Controller

Product Data Sheet

**SKU:** LEO-PRO-RCVR

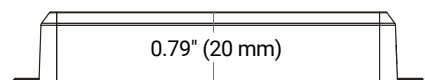
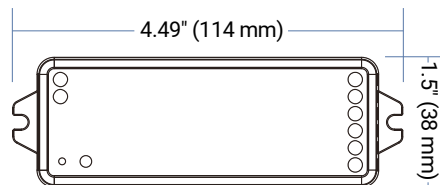
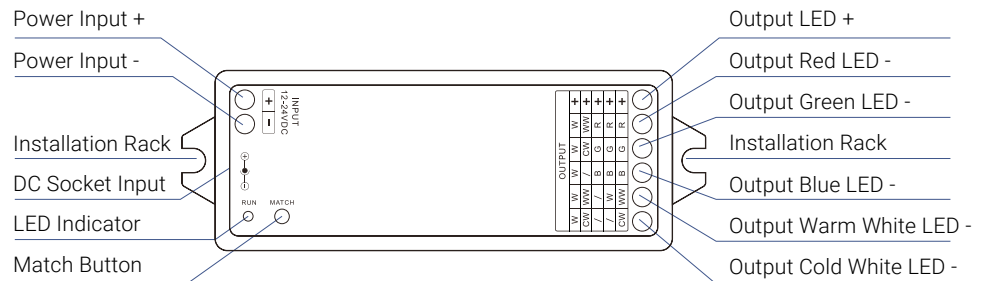


**5-Year Warranty**

## Features

- Works with White, Single Color, Tunable White, RGB, RGBW, or RGB + Tunable White LED fixtures.
- Power with plug-in or hardwired LED drivers.
- Control via the free Leona® Smart app to set timers, color changing, create custom scenes, and unlock advanced features.
- Pair with Amazon Alexa or Google Home to control your lights hands-free. Add an optional handheld RF remote for instant control without reaching for your phone.
- Connects via Wi-Fi with quick Bluetooth pairing. Your phone's cellular network keeps you connected even if Wi-Fi goes down.
- The built-in pairing indicator light guides you through connecting different types of lighting fixtures.
- Automatic reverse polarity and overheat protection keep your lights safe.

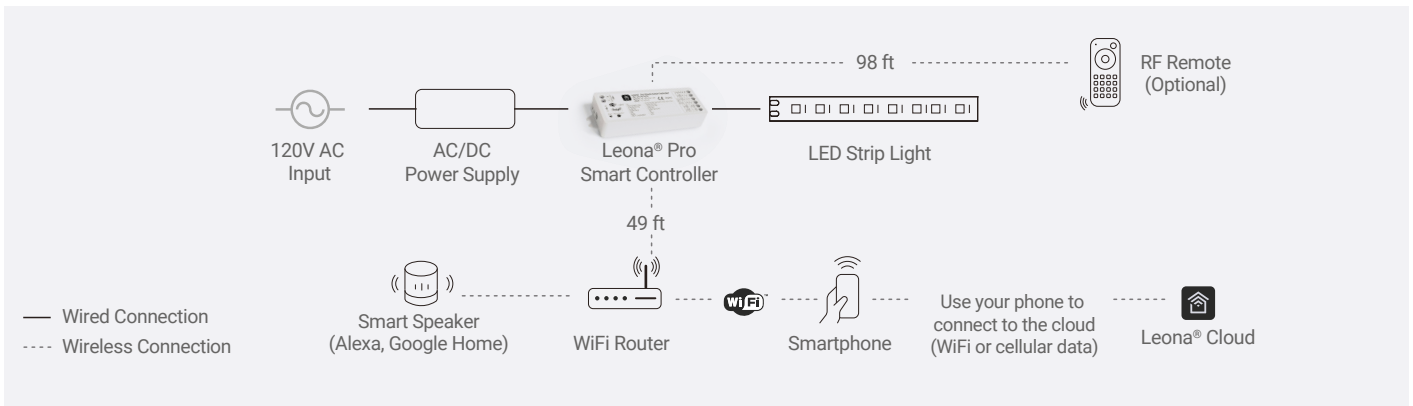
## Mechanical Drawing



## Specifications

Input Voltage	Input Current	Output Voltage	Output Current	Output Power	Input Signal
12-24V	15.5A Max	5 x 12-24V DC	5 channels, 3A max/channel	5 x 36-72W depending on voltage	Leona® Smart app via Wi-Fi + 2.4 GHz RF
Control Distance	Dimming Range	Dimming Curve	PWM Frequency	Operating Temperature	IP Rating
30M (without obstacles)	0-100%	Logarithmic	1000 Hz	-30°C to 55°C (-22°F to 131°F)	IP20

## System Setup



- The distances shown in the drawing are based on an environment free of any obstructions.
- Please ensure that you are using the 2.4GHz band of your Wi-Fi router, as the 5GHz band is not compatible with the Leona® Smart app.
- Ensure that your Wi-Fi router is within 15 meters of your Leona® devices and double-check that your Wi-Fi is functioning properly.

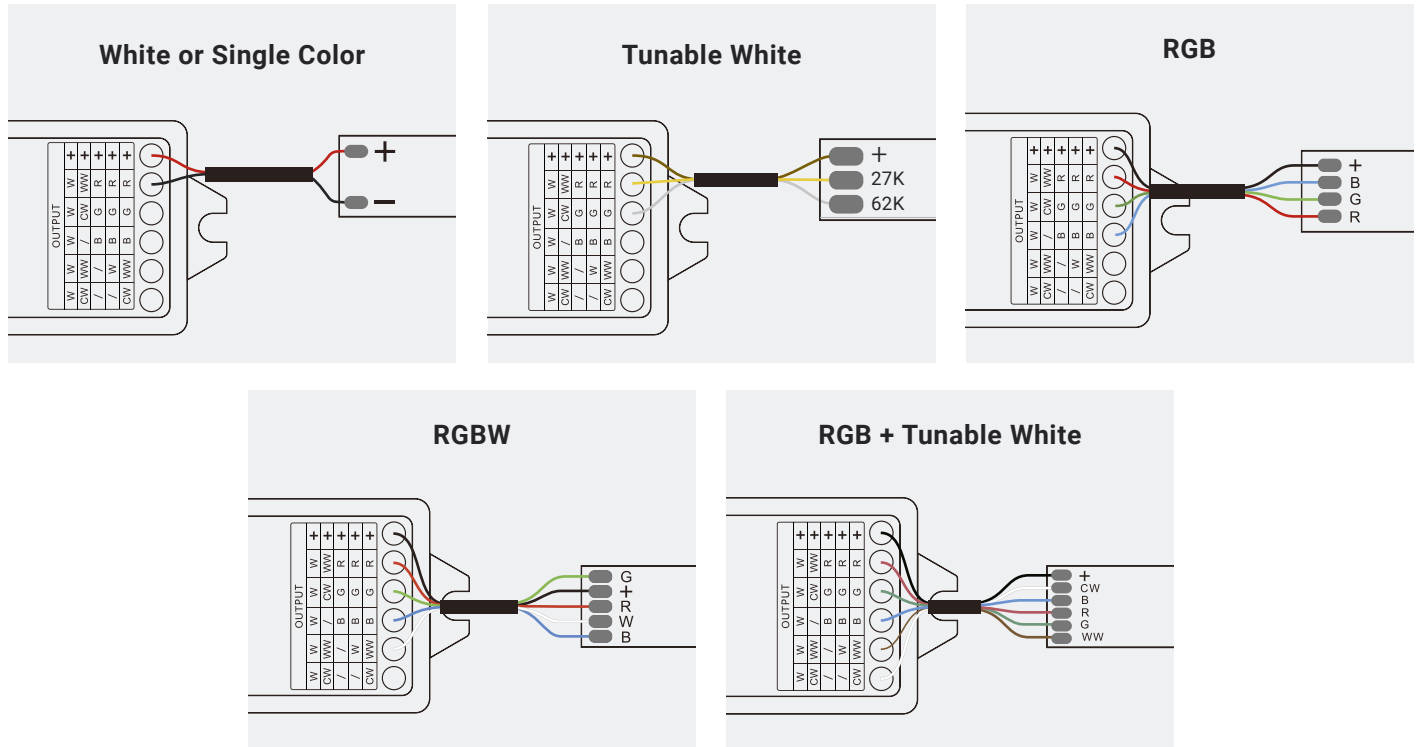
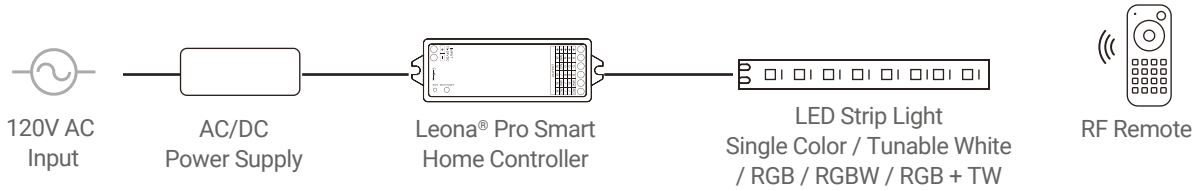
### Safety & Disclosures:

- Do not place the controller in any kind of metal enclosure.
- Ensure the power supply and LED strip light are using the same operating voltage.
- Do not place anything on or around the controller, power supply or strip light that is not intended to be used with the system.
- Do not place in or around water or in a high humidity environment. Intended for indoor use only.

### FCC Radiation Exposure Statement:

- This device complies with FCC radiation exposure limits set forth for an uncontrolled environment.
- This device should be installed and operated with minimum distance of 20 cm between the radiator and your body.

## System Wiring



**Note:** The Leona® Pro Remotes shown above are optional and sold separately.

1. Connect the power supply to the Leona® Pro Controller and wait until the “RUN” LED indicator light starts blinking purple.
2. Once the light is blinking, press the “MATCH” button once to make the “RUN” light a solid color.
3. Once solid, press and hold the “MATCH” button. You’ll see the “RUN” LED indicator light start to change colors. This can take a few seconds to start. Release the button when you get to the color assigned to your lights:
  - **White/Single Color lights:** WHITE/TEAL run light.
  - **Tunable/Dynamic lights:** YELLOW/LIGHT
  - **GREEN run light.**
  - **RGB lights:** RED run light.
  - **RGBW lights:** GREEN run light.
  - **RGB + Tunable White lights:** BLUE run light.
4. Once you get to your desired color, release the “MATCH” button and follow the instructions in the app to sync the receiver.

**NOTES:**

- The “RUN” LED indicator light colors follow a pattern so, for example, the GREEN light you see after RED will always be the RGBW while the YELLOW/LIGHT GREEN light you see will always go after TEAL and before RED.
- If you miss one of the steps or face issues during the setup process, you can start again from scratch by disconnecting the power supply and waiting 10 seconds to connect it again.

## Connect to the Leona® Smart App

---

1. Connect to Wi-Fi 2.4GHz and activate Bluetooth to ensure quick pairing is enabled.
2. Download the “Leona Smart” app from the iOS App Store or Google Play Store. The app is compatible with Android 6.0 and iOS 10.0 or higher.
3. Open the Leona® Smart app and either sign up for a new account or log in with an existing account.
4. Apply power to your Leona® Pro Controller and strip light. Then follow the instructions under System Wiring above to ensure that your controller’s “RUN” LED indicator light is set to the color that is required to run the specific type of strip light that you have. (White/Single Color = White/Teal Light, Tunable White = Yellow/Light Green Light, RGB = Red Light, RGBW = Green Light, RGB+TW = Blue Light). Allow the indicator light to remain a solid, non-blinking color before moving to the next step.
5. Once you have the desired indicator light color showing, hold down the “MATCH” button again for 2 seconds so that the indicator light starts to blink purple. Then open your Leona® Smart app.
6. Follow the prompts to add a new smart device by either manually adding the product or allowing the app to scan for a new device over Wi-Fi.
7. Please confirm that the phone and controller are using the same Wi-Fi network and that the Wi-Fi being used is a 2.4GHz signal. Please Note: Leona® Smart products are not compatible with 5GHz Wi-Fi signals.
8. Once the setup is complete, you are now able to pair your Leona® Pro Smart Home Controller with third-party smart home apps such as Google Home and Amazon Alexa. Within the Leona® Smart app, however, there are a variety of functions such as dimming, scene control, timers, account sharing, and more. App functionality will depend on the model of strip light that you are using

## Connect to a Leona® Pro Remote (Sold Separately)

---

**To Pair a Leona® Pro Remote:** Short press the “MATCH” button on the controller and then immediately press the desired zone button (buttons 1 through 4 on the Leona® Pro Remote) to sync the controller to that specific zone on the remote. The “RUN” LED indicator flashing rapidly for a few seconds means that the match was successful.

Alternatively, you can use the power restart function built into the controller to pair remotes. Simply switch the power to the controller on and off three times in a row and then immediately press the desired zone button on the remote three times in a row. The “RUN” LED indicator flashing rapidly for a few seconds means that the match was successful.

**To Delete Paired Leona® Pro Remote:** Press and hold the “MATCH” button on the remote for 20 seconds. This will remove any remotes previously paired to that controller.

For more specific information about the remotes and their individual functions, please refer to the Leona® Pro Smart Home Remote User Guide.

**NOTE:** Once your controller is set up with the app and/or remote, if you would like to activate the Fade-to-Off feature simply turn the power to the controller off and on twice then immediately press the “MATCH” button three times. You can deactivate it using the same process.

## Warranty Information

---

This product has a 5-year limited warranty from the date of shipment. This warranty only includes the main product outlined in this specification sheet and does not include the additional accessories that are used as a reference. Complete warranty details for fixtures and additional accessories are available at: <https://www.flexfireleds.com/warranties/> within the Policies section. For warranty-related questions please contact the product support team at [support@flexfireleds.com](mailto:support@flexfireleds.com)

### Consumer's Acknowledgement

Flexfire LEDs, Inc. stands behind its products when they are used properly and according to our specifications. When you purchase our products, you are agreeing to the terms and conditions outlined in our warranty section. We try our best to make recommendations, but the burden of proper installation, design, and maintenance relies on the purchaser. This limited warranty does not include product failures that are the result of: Not using a voltage-regulated power supply to connect the LED product or controls; Connecting LED products to the wrong output voltage; Improper connection of power supplies, LED products, or controls; Connecting LED products or controls directly to any AC power source if they are stated for DC only input; Connecting power supplies backwards to an AC power source; Products used in an inappropriate location or in environmental conditions (temperature, humidity, moisture, etc.) outside the normal specified range; Water damage to products not specifically sold as waterproof products; Electrical power surges and spikes; Damage from hail, flooding, tornado, fire, wind, earthquake, lightning, electrical storm, or any other natural disasters or "force majeure" incidences; Damage caused by a vehicle or other accident; Damage caused when transporting the item; Damage to any products that were modified by the user, used for purposes other than as intended or directed, or connected to LED systems or components not purchased from Flexfire LEDs; Products that have been subjected to misuse, mishandling, misapplication or accident. Products used in connection with any components, devices or systems other than those explicitly approved as compatible with Company's products and listed on Company's website. Excessive wear and tear and/or physical or accidental abuse, loss, or theft. Improper repairs or warranty services performed by someone other than Flexfire LEDs will void this warranty.

