



Lightshield™  
**LED Strip Light Diffuser  
 with Adhesive**

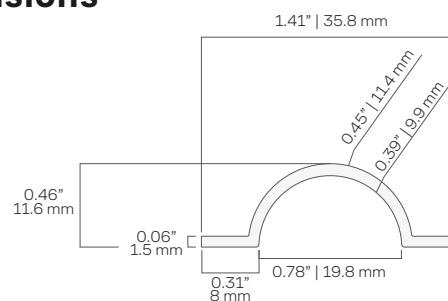
Our Lightshield™ LED Strip Light Diffuser is the simplest way to hide individual LED lights without using aluminum channels. It softens glare on tiles and glossy countertops, and works well for direct lighting on smooth surfaces like metal, where heat buildup isn't a concern. It makes the strip easier to clean, and its strong, peel-and-stick adhesive ensures 100% DIY-friendly projects.



### Specifications

<b>SKU</b>	SHD-CVR-F-4FT
<b>Mounting Type</b>	Surface Mount
<b>Cover Type</b>	Frosted Cover
<b>Cover Material</b>	Polycarbonate
<b>Beam Angle</b>	120°
<b>Length</b>	4 ft (1.2 m)
<b>Cuttable</b>	Yes
<b>Adhesive Type</b>	3M VHB 4930
<b>IP Rating</b>	IP20: Indoor, Dry Location

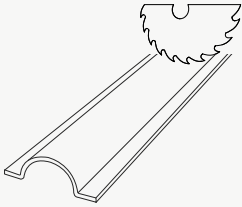
### Dimensions



**2 year  
 Warranty**

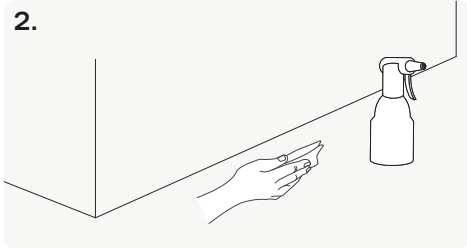
## Installation

1.



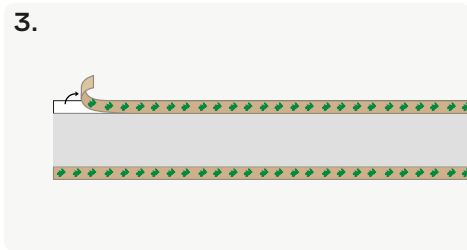
Measure and cut the diffuser to the required length using a table saw.

2.



Thoroughly clean any surface where you will be attaching your LED Lightshield™ diffuser.

3.



Peel the cover of the 3M adhesive backing and gently press the diffuser against the installation surface.

## Warranty Information

### Limited Warranty


This product has a 2 year limited warranty from the date of shipment. This warranty only includes the main product outlined in this specification sheet and does not include the additional accessories that are used as a reference. Complete warranty details for fixtures and additional accessories are available at <https://www.flexfireleds.com/warranties/> within the Policies section. For warranty related questions please contact the product support team at [support@flexfireleds.com](mailto:support@flexfireleds.com).


### Consumer's Acknowledgment

Flexfire LEDs, Inc. stands behind its products when they are used properly and according to our specifications. When you purchase our products, you are agreeing to the terms and conditions outlined in our warranty section. We try our best to make recommendations, but the burden of proper installation, design, and maintenance relies on the purchaser. This limited warranty does not include product failures that are the result of: Not using a voltage regulated power supply to connect the LED product or controls; Connecting LED products to the wrong output voltage; Improper connection of power supplies, LED products, or controls; Connecting LED products or controls directly to any AC power source if they are stated for DC only input; Connecting power supplies backwards to an AC power source; Products used in an inappropriate location or in environmental conditions (temperature, humidity, moisture, etc.) outside the normal specified range; Water damage to products not specifically sold as waterproof products; Electrical power surges and spikes; Damage from hail, flooding, tornado, fire, wind, earthquake, lightning, electrical storm, or any other natural disasters or "force majeure" incidences; Damage caused by a vehicle or other accident; Damage caused when transporting the item; Damage to any products that were modified by the user, used for purposes other than as intended or directed, or connected to LED systems or components not purchased from Flexfire LEDs; Products that have been subjected to misuse, mishandling, misapplication or accident. Products used in connection with any components, devices or systems other than those explicitly approved as compatible with Company's products and listed on Company's website. Excessive wear and tear and/or physical or accidental abuse, loss, or theft. Improper repairs or warranty services performed by someone other than Flexfire LEDs will void this warranty.



[www.flexfireleds.com](http://www.flexfireleds.com)

 Toll Free Number: 1-844-353-9347

 Local Number: (925) 273-9080

 [info@flexfireleds.com](mailto:info@flexfireleds.com)